

**NS Series** Non Seal Chain

CHAIN NO	PITCH	DIMENSIONS (MM)						AVERAGE TENSILE STRENGTH	MAXIMUM Disp	
		ROLLER LINK WIDTH (MINIMUM)	ROLLER DIAMETER	LINK PLATE		OVER ALL WIDTH			On road	off road
				THICKNESS	WIDTH	F	G			
	P	W	R	T	H	F	G	kN	On road	
420NS	12.700 (1/2")	6.350 (1/4")	7.77	1.45	12.00	14.80	16.20	18.5	125	-
428NS	12.700 (1/2")	7.940 (5/16")	8.51	1.45	12.00	16.85	18.85	19.6	150	-

**NSH Series** Non-Seal Heavy Duty Chain

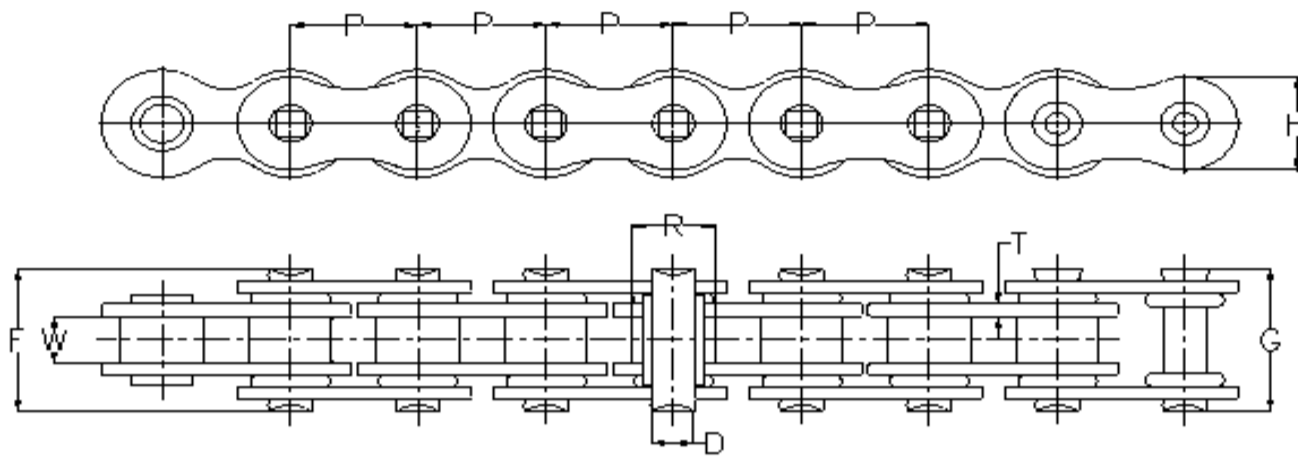
CHAIN NO	PITCH	DIMENSIONS (MM)						AVERAGE TENSILE STRENGTH	MAXIMUM Disp	
		ROLLER LINK WIDTH (MINIMUM)	ROLLER DIAMETER	LINK PLATE		OVER ALL WIDTH			On road	off road
				THICKNESS	WIDTH	F	G			
	P	W	R	T	H	F	G	kN	On road	
415NSH	12.700 (1/2")	4.760 (3/16")	7.77	1.45	12.00	13.05	14.55	18.3	135	-
428NSH	12.700 (1/2")	7.940 (5/16")	8.51	2.00	11.80	18.75	20.30	24.2	200	-
520NSH	15.875 (5/8")	6.350 (1/4")	10.16	2.30	15.00	18.80	19.70	34.3	250	-
525NSH	15.875 (5/8")	7.940 (5/16")	10.16	2.30	15.00	20.35	21.25	34.3	250	-
530NSH	15.875 (5/8")	9.530 (3/8")	10.16	2.30	15.00	22.00	22.90	34.3	250	-

**NSD Series** Non-Seal Dirt Chain

CHAIN NO	PITCH	DIMENSIONS (MM)						AVERAGE TENSILE STRENGTH	MAXIMUM Disp	
		ROLLER LINK WIDTH (MINIMUM)	ROLLER DIAMETER	LINK PLATE		OVER ALL WIDTH			On road	off road
				THICKNESS	WIDTH	F	G			
	P	W	R	T	H	F	G	kN	CC	
420NSD	12.700 (1/2")	6.350 (1/4")	7.77	1.75	12.00	16.00	17.50	24.0	-	150
428NSD	12.700 (1/2")	7.940 (5/16")	8.51	2.00	11.80	18.75	20.30	27.0	-	150
520NSD	15.875 (5/8")	6.350 (1/4")	10.16	2.30	15.00	18.80	19.70	37.8	-	450

**NSDC Series** Non-Seal-Dirt-Chromized

CHAIN NO	PITCH	DIMENSIONS (MM)						AVERAGE TENSILE STRENGTH	MAXIMUM Disp	
		ROLLER LINK WIDTH (MINIMUM)	ROLLER DIAMETER	LINK PLATE		OVER ALL WIDTH			On road	off road
				THICKNESS	WIDTH	F	G			
	P	W	R	T	H	F	G	kN	On road	
420NSDC	12.700 (1/2")	6.350 (1/4")	7.77	1.75	12.00	16.00	17.50	24.0	-	150
428NSDC	12.700 (1/2")	7.940 (5/16")	8.51	2.00	11.80	18.75	20.30	27.0	-	150
520NSDC	15.875 (5/8")	6.350 (1/4")	10.16	2.30	15.00	18.80	19.70	37.8	-	500

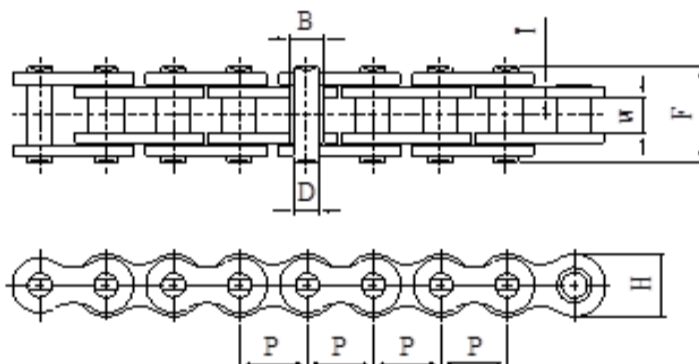


**AO Series** Advanced O-ring Chain

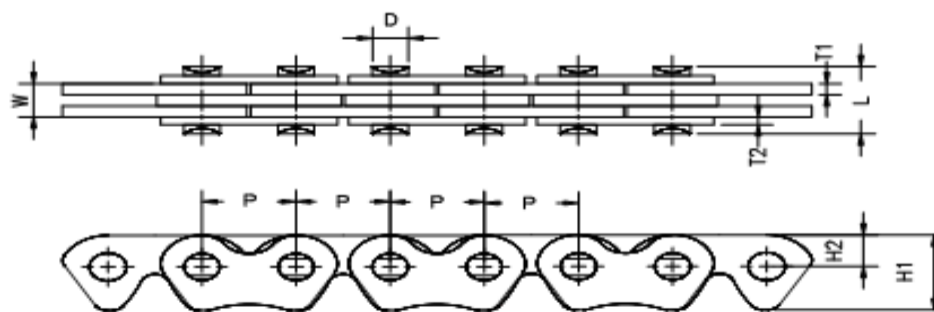
CHAIN NO	PITCH	DIMENSIONS (MM)						AVERAGE TENSILE STRENGTH	MAXIMUM Disp	
		ROLLER LINK WIDTH (MINIMUM)	ROLLER DIAMETER	LINK PLATE		OVER ALL WIDTH			On road	off road
				THICKNESS	WIDTH	F	G			
	P	W	R	T	H	F	G	kN	On road	
428AO	12.700 (1/2")	7.940 (5/16")	8.51	1.80	12.30	21.00	20.20	24.0	250	250
520AO	15.875 (5/8")	6.350 (1/4")	10.24	2.00	15.00	19.90	19.90	33.8	400	400
525AO	15.875 (5/8")	7.940 (5/16")	10.24	2.40	15.00	22.85	22.85	38.0	650	650
530AO	15.875 (5/8")	9.530 (3/8")	10.24	2.40	15.00	24.90	24.90	38.0	650	650

**AX Series** Advanced X-ring Chain

CHAIN NO	PITCH	DIMENSIONS (MM)						AVERAGE TENSILE STRENGTH	MAXIMUM Disp	
		ROLLER LINK WIDTH (MINIMUM)	ROLLER DIAMETER	LINK PLATE		OVER ALL WIDTH			On road	off road
				THICKNESS	WIDTH	F	G			
	P	W	R	T	H	F	G	kN	On road	
520AX	15.875 (5/8")	6.350 (1/4")	10.24	2.00	15.00	19.90	19.90	33.8	750	750
525AX	15.875 (5/8")	7.940 (5/16")	10.24	2.40	15.00	22.85	22.85	38.3	900	750
530AX	15.875 (5/8")	9.530 (3/8")	10.24	2.40	15.00	24.90	24.90	41.2	1300	900



CHAIN NO	PITCH	DIMENSIONS (MM)					AVERAGE TENSILE STRENGTH	MAXIMUM Disp
		BUSH LINK WIDTH (MINIMUM)	BUSH DIAMETER	INNER PLATE		PIN LENGTH		
				THICKNESS	WIDTH			
	P	W	B	T	H	F	kN	On road
25H	6.350 (1/4")	3.180	3.30	1.00	5.80	8.93	5.6	125



**SILENT CHAIN FOR MOTORCYCLE ENGINE**

CHAIN NO	PITCH	DIMENSIONS (MM)							AVERAGE TENSILE STRENGTH	MAXIMUM Disp	
		NUMBER OF LINKS (INCLUDING GUIDES)	WIDTH BETWEEN GUIDES (MINIMUM)	Pin		LINK THICKNESS		LINK HEIGHT			
				LENGTH		T1	T2	H1			H2
	P		W	L		T1	T2	H1	H2	kN	On road
0423SC	6.350	2 X 3	3.10	6.05		1.00	0.70	6.77	2.85	6.5	200